

- Low-loss RF SAW filter for mobile systems
- Low amplitude ripple
- No matching network required for operation at 50Ω
- Ceramic package for Surface Mounted Technology (SMT)
- Lead-free production and RoHS compliant

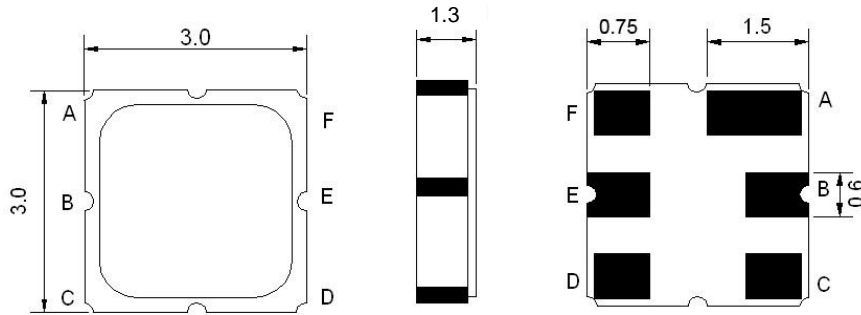


Electrical Characteristics

MAXIMUM RATING				
PARAMETERS DESCRIPTION	UNIT	MINIMUM	TYPICAL	MAXIMUM
Operating Temperature Range	°C	-40	-	+85
Storage Temperature Range	°C	-40	-	+85
Maximum DC Voltage	V _{DC}			5
Maximum Input Power Level	dBm			10
Source Impedance	Ω	-	50	-
Load Impedance	Ω	-	50	-
Length x Width	mm ²	-	3.0 x 3.0	-
Height	mm	-	-	1.3

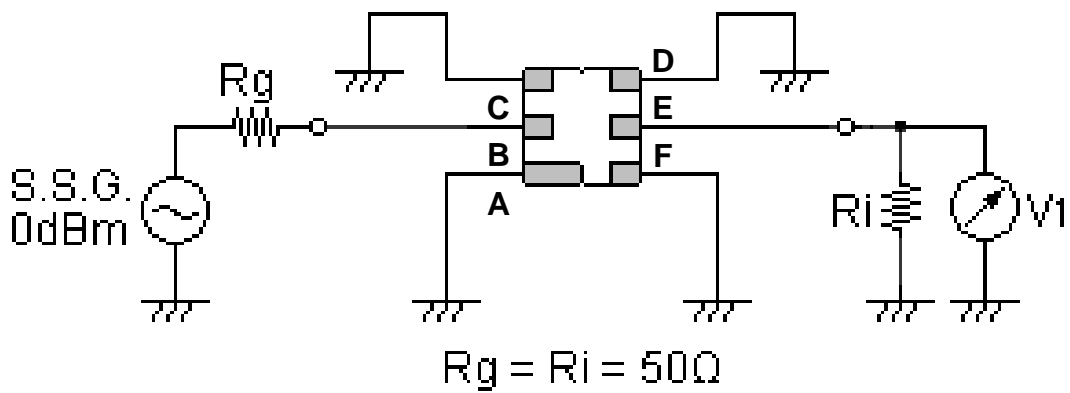
ELECTRICAL SPECIFICATION				
PARAMETERS DESCRIPTION	UNIT	MINIMUM	TYPICAL	MAXIMUM
Center Frequency (Fo)	MHz		793	
Insertion Loss @ 788.00 ~ 798.00MHz	dB	-	2.3	3.0
Amplitude Ripple (p-p) @ 788.00 ~ 798.00MHz	dB		0.5	1.0
Group Delay Ripple @ 788.00 ~ 798.00MHz	nS		30	60
Absolute Group Delay @ 788.00 ~ 798.00MHz	nS		100	130
Absolute Attenuation:				
DC ~ 650.00 MHz	dB	50	60	
650.00 ~ 746.00 MHz	dB	50	60	
746.00 ~ 778.00 MHz	dB	45	50	
808.00 ~ 824.00 MHz	dB	35	40	
824.00 ~ 2000.00 MHz	dB	35	45	
2000.00 ~ 3000.00 MHz	dB	20	23	
Input / Output VSWR @ 788.00 ~ 798.00MHz			1.7:1	2.0:1

Package Dimensions



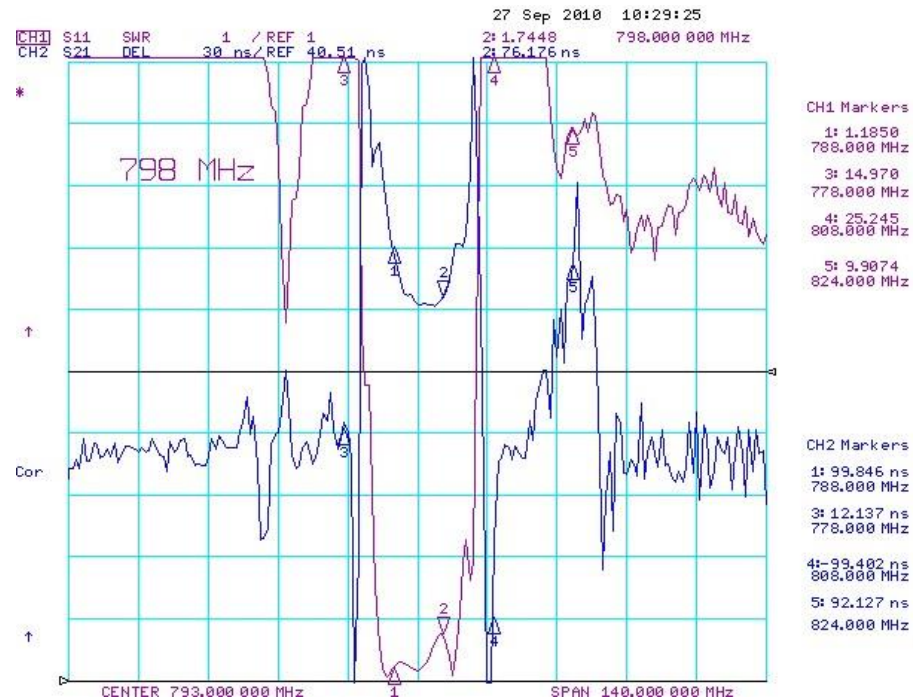
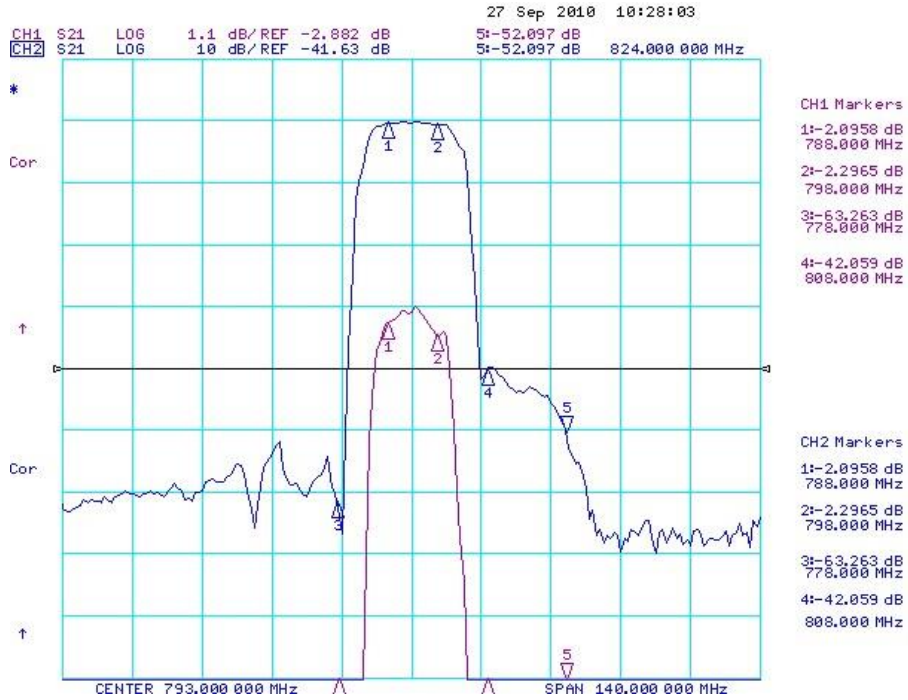
Pin Description	
B	Input
E	Output
A, C, D, F	Ground

Testing Environment



Frequency Characteristics

Frequency Response



Frequency Response

